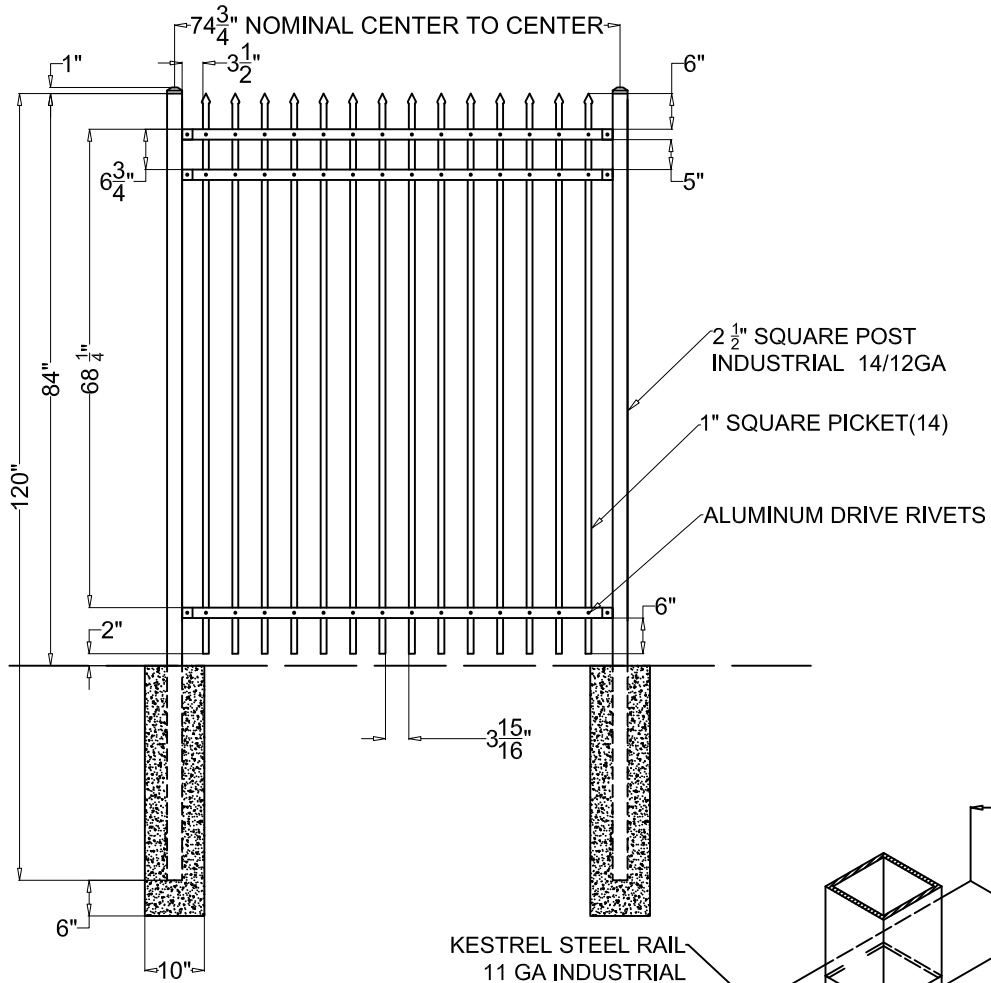
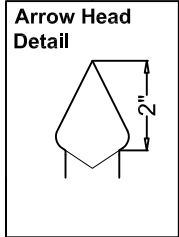


\*NOTE:  
TOP OF POST  
FLUSH WITH TOP  
OF PICKET. POST  
CAP ADDITIONAL  
INCH TO HEIGHT.



**OPTIONS:**

**Fence Heights:**

- 4 ft
- 5 ft
- 6 ft
- 7 ft
- 8 ft

**Picket Gauge:**

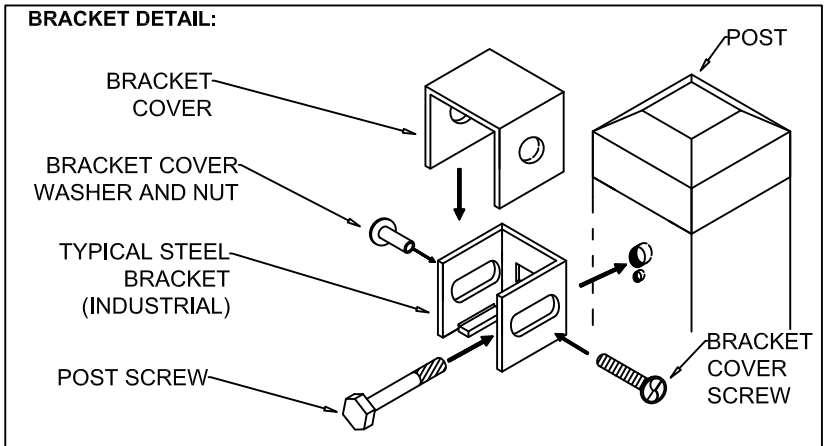
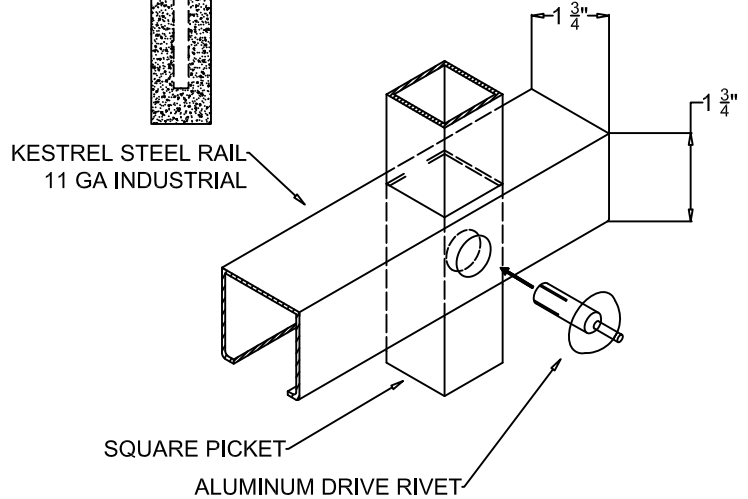
- 18 GAUGE
- 16 GAUGE
- 14 GAUGE

**Cap Style:**

- Ball Style
- Flat Style

**Color:**

- Black
- Brown
- White
- Green



**Kestrel 6' Section  
Industrial 7' Height**



**NATIONAL FENCE SYSTEMS, INC.**  
1033 Route 1  
Avenel, NJ 07001  
1-800-211-2444  
www.nationalfencesystems.com

|            |                      |
|------------|----------------------|
| Installer: | DWG NO:<br>KSI.FS6.7 |
| Project:   | DR: es               |