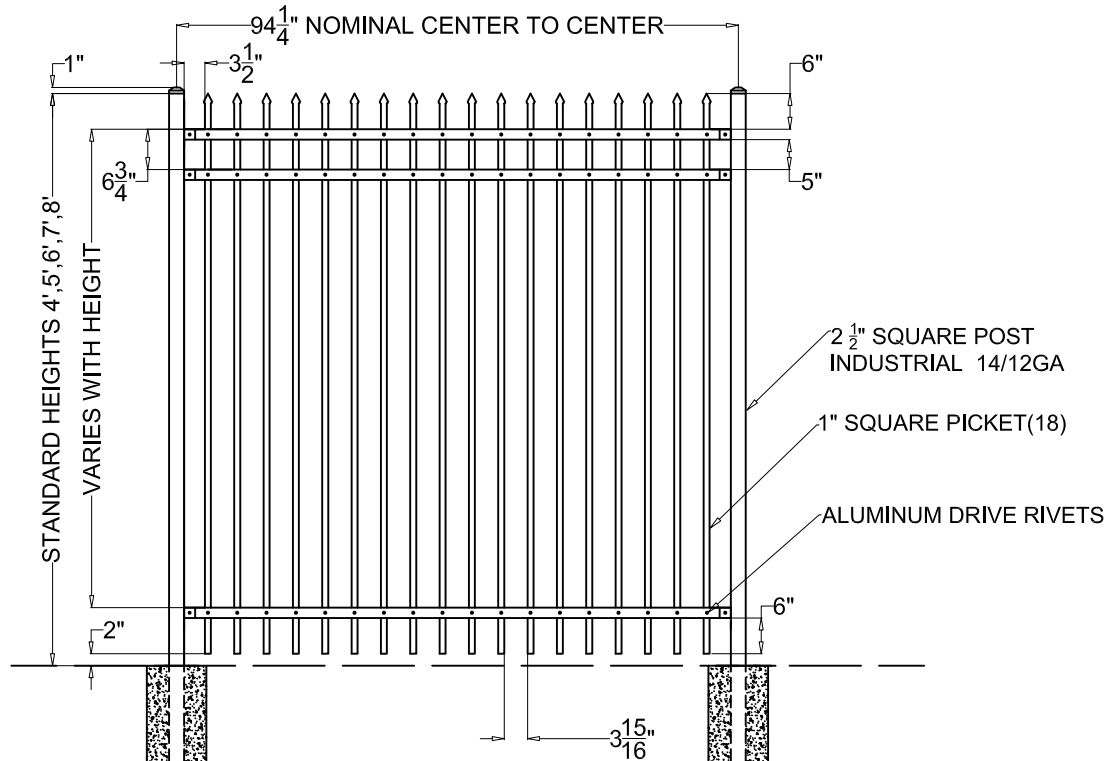
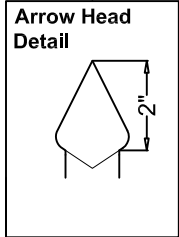


\*NOTE:  
TOP OF POST  
FLUSH WITH TOP  
OF PICKET. POST  
CAP ADDITIONAL  
INCH TO HEIGHT.



**OPTIONS:**

**Fence Heights:**

- 4 ft
- 5 ft
- 6 ft
- 7 ft
- 8 ft

**Picket Gauge:**

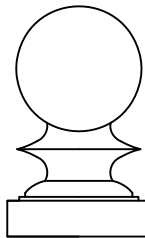
- 18 GAUGE
- 16 GAUGE
- 14 GAUGE

**Cap Style:**

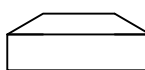
- Ball Style
- Flat Style

**Color:**

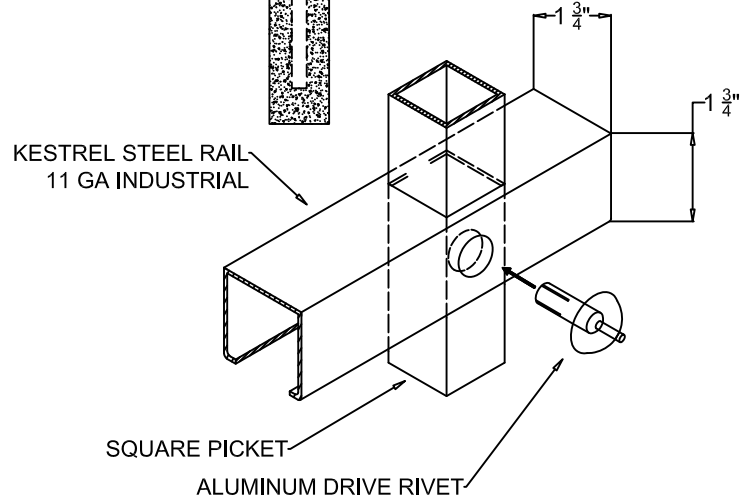
- Black
- Brown
- White
- Green



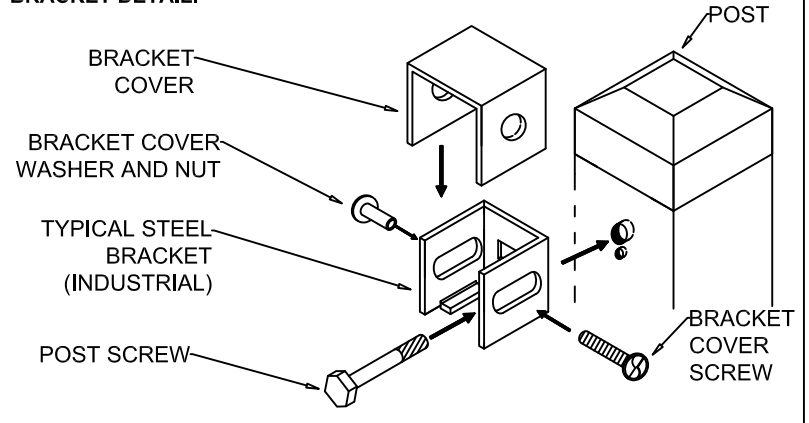
BALL  
STYLE  
CAP



FLAT  
STYLE  
CAP



**BRACKET DETAIL:**



**Kestrel 8' Section  
Industrial**

**NATIONAL FENCE SYSTEMS, INC.**

1033 Route 1  
Avenel, NJ 07001  
1-800-211-2444

www.nationalfencesystems.com

Installer:

Project:

DWG NO:  
KSI.FS8

DR: es

