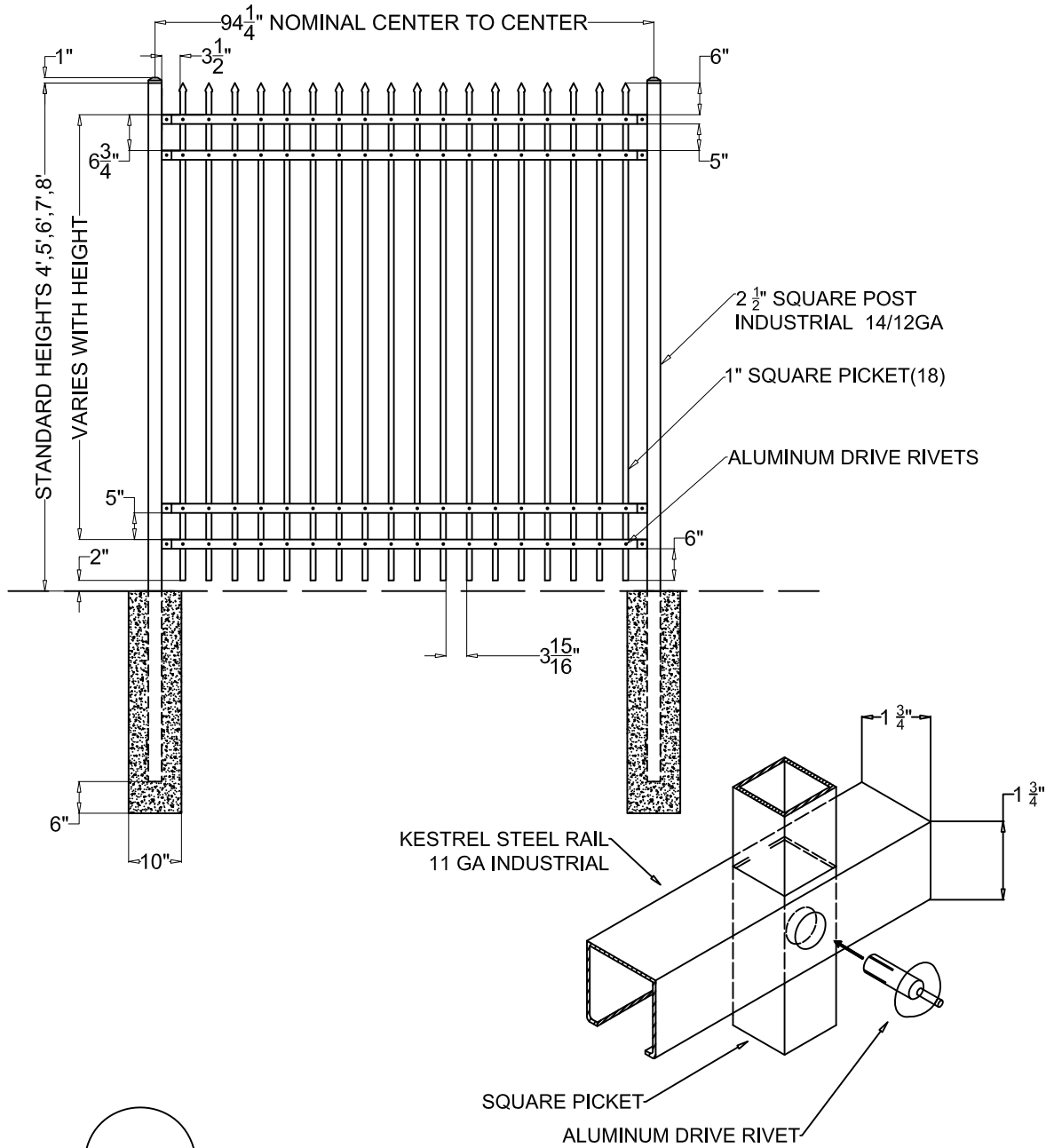
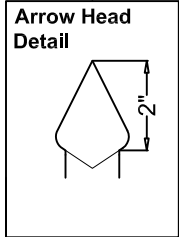


*NOTE:
TOP OF POST
FLUSH WITH TOP
OF PICKET. POST
CAP ADDITIONAL
INCH TO HEIGHT.



OPTIONS:

Fence Heights:

- 4 ft
- 5 ft
- 6 ft
- 7 ft
- 8 ft

Picket Gauge:

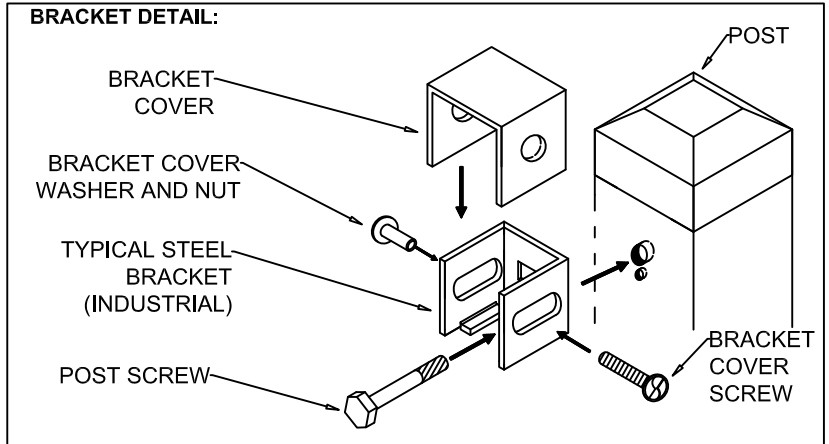
- 18 GAUGE
- 16 GAUGE
- 14 GAUGE

Cap Style:

- Ball Style
- Flat Style

Color:

- Black
- Brown
- White
- Green



Kestrel 8' Section Industrial



NATIONAL FENCE SYSTEMS, INC.

1033 Route 1
Avenel, NJ 07001
1-800-211-2444
www.nationalfencesystems.com

Installer:

Project:

DWG NO:
KS2I.FS8

DR: es